



R300 SE

Bi-color

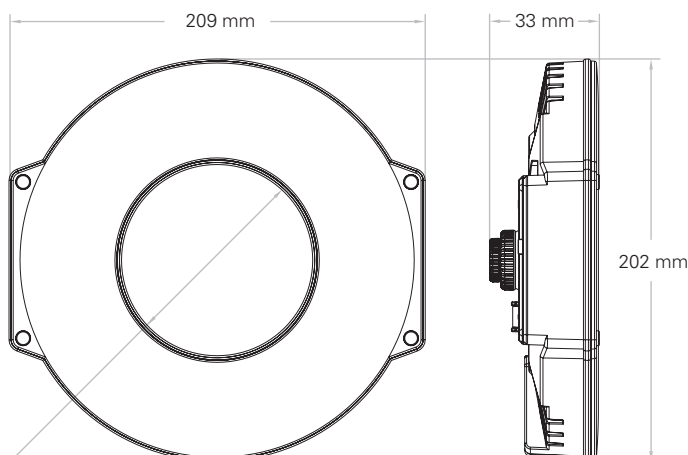
Ready for any situation, with the R300S SE you can adjust the color temperature on the fly to match surrounding light or to set a special mood.

Compact

Light weight and a compact size makes the R300 SE the perfect travelling light. It is great for special purposes such as for use with a gimbal, where other lights don't fit or are too heavy.

Flexible

The R300 SE can be whatever you need it to be: a ring light mounted around the lens, a soft off-camera light, a small portable softbox or lantern. With the new, extended L-bracket, it can also be mounted to any DSLR, even when a battery grip is installed. Powered by AC or affordable NP-F batteries, the R300 SE is ready for any challenge.



DIMENSIONS

Model	R300 SE	R300S SE
Item No.	18040100	18040000
EAN Code	6949773303939	6949773303649
Net Weight	0.35 kg (0.77 lbs)	0.35 kg (0.77 lbs)
Packed Weight	0.75 kg (1.0 lbs)	0.75 kg (1.0 lbs)
Packed Size	312x240x95 mm	312x240x95 mm

Note Protection Mark according to DIN 34

SPECIFICATION

Model	R300	R300S
LED SOURCE		
Beam Angle	50°	
White Light	Daylight 5,600 K	Bi-Color 3,200 K - 5,600 K Continuously Variable Correlated Color Temperature
Color Temperature Tolerance	± 200 K (nominal)	
Color Rendition	TLCI 95-99 (97±2), CRI 93-97 (95±2)	
Dimming	0 -100% Continuous	
Control	On-Board Controller	
Estimated LED Lifetime	50,000 hours (15 Years of average use)	

POWER SUPPLY	
Power Voltage Range	10 - 18 V DC
Input Current Range	Max 1.97 A @ 10V / 1.09 A @ 18V
Power Consumption	18.7 W Nominal, 19.7 W Maximum
Power Connection	Φ5.5 × 2.5 DC @ 10-18 V
Battery Lifetime	78 mins @ 1*4800 mAh NP-F750

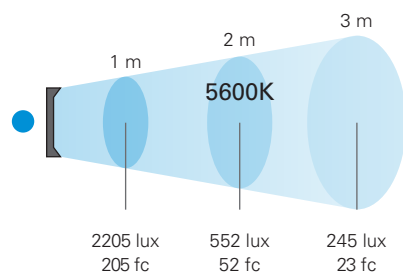
GENERAL	
Thermal Design	Silent Passive Cooling
Mounting	28 mm Spigot (Junior Pin), 1/4 in Nut
Housing Color	Black
Ambient Temperature Operation	-20 to +45° C (-4 to +113° F)
Protection Class	IP 20
Certifications	CE (EMC, LVD, RoHS, REACH), ISO9001:2000

All specifications are nominal / typical values.

PHOTOMETRIC DATA (preliminary results)

R300

50° Beam Angle



R300S

50° Beam Angle

