

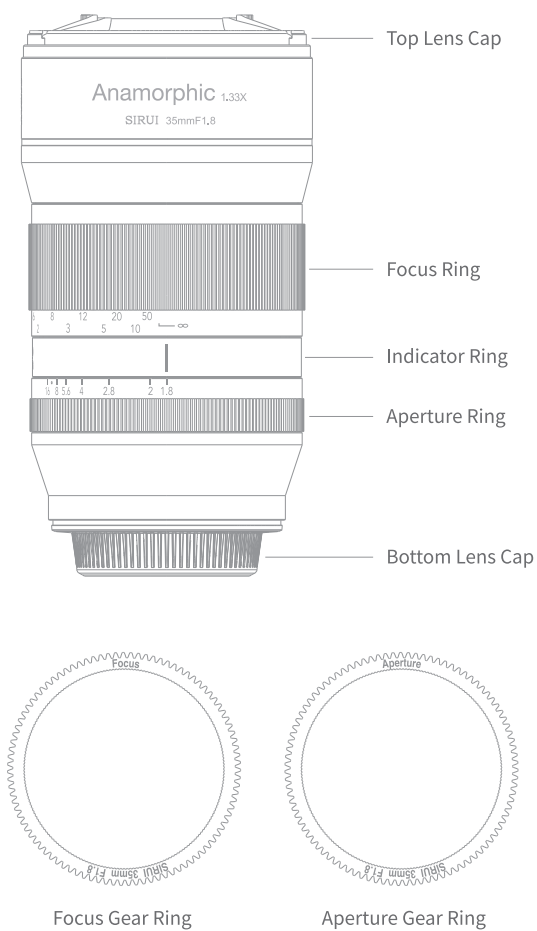


SIRUI, Capturing Your Imagination!



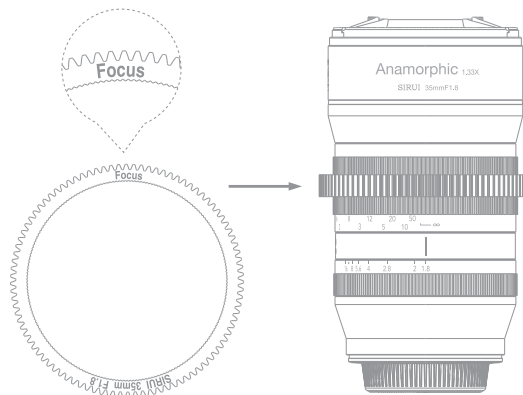
INSTRUCTIONS

Components of the Lens

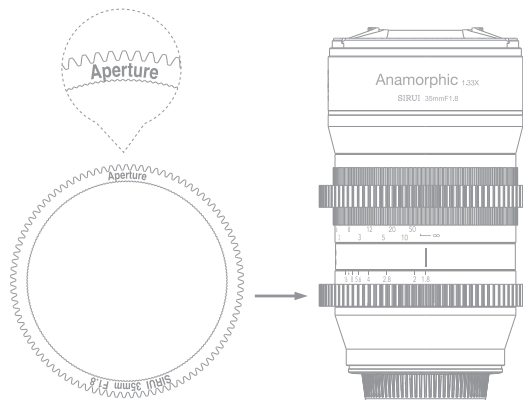


Attach the gear rings onto the lens

1. Slide the Focus Gear Ring from the lens bottom to the Focus Ring then secure it into position.



2. Slide the Aperture Gear Ring from the lens bottom to attach and secure it onto the Aperture Ring.



Lens Features

1. Directly produce cinematic 2.4:1 videos in a 16:9 setting.
2. Create Sci-Fi shots with brushed and backlighting effects.
3. Easily turn the aperture ring to optimize the depth of view and bokeh effect.
4. Multi-layer coating for lens elements transitioning from the front water-proof film to Nano coating for protection.
5. Solidly constructed with aircraft aluminum housing and precision copper focus components, the lens is compact and robust yet light enough to smoothly capture high quality images.

Lens Set-up Instructions

1. Attach the lens to the camera  
Align the red dot on the lens with the white dot on the camera then attach and secure the lens onto the camera with a clockwise turn.
2. Remove the lens  
To remove, press down the security button on the camera then rotate the lens in the counter-clockwise direction to separate it from the camera.

Product Precautions for Normal Use

- Please avoid any long-term exposure to the lens in a wet environment which may produce mold and rust on the lens. Store the lens in an airtight cabinet with a drying agent. For other options, contact your SIRUI rep for information on a SIRUI High Performance Humidity Control Cabinet or visit [www.sirui.com](http://www.sirui.com).
- Do not touch the lens glass surface with your fingers. Gently remove dust and dirt with a cleaning cloth or lens brush. Wipe off fingerprints with lens cleaning products and a lens cloth. Do not clean the lens with general household cleaners.
- Please avoid using the lens in the rain or near water as this may damage the lens and void the warranty.
- When transporting the lens from a hot and cold environment, please place the lens into a lens case or a commercial camera bag. When removed, allow the lens some time to adapt to the new temperature as the lens interior may develop condensation if not.

Data Chart for the Lens

Model	SIRUI 35mm F1.8 Anamorphic 1.33X	
Focal Length	35mm	
Maximum Aperture	F1.8	
Minimum Aperture	F16	
Lens Structure	13 Elements in 9 Groups	
Aperture Blades	10	
Support Frame	M4/3	
Shooting Distance	0.85m - ∞	
Focus Method	Manual Focusing	
Maximum Magnification	1:10.63 (V), 13.83 (H)	
Filter Spec	M67x0.75	
Rotation Angle of the Focus Ring	191.2°	
Max. Diameter	71mm/2.79inches	
Diameter of the Focus Ring	67.2mm/2.65inches	
Weight	M4/3 Mount	Approximate 700g/1.55lbs
	RF Mount	Approximate 735g/1.62lbs
	L Mount	Approximate 700g/1.55lbs
Total Length (Lens Cap Not Included)	M4/3 Mount	Approximate 117mm/4.61inches
	RF Mount	Approximate 116.7mm/4.59inches
	L Mount	Approximate 116.5mm/4.59inches

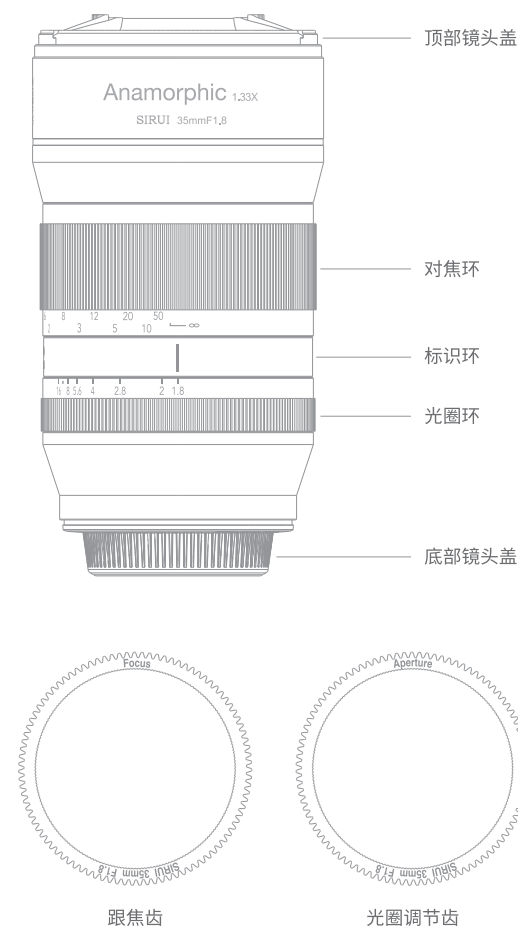


影像随心 思锐随行



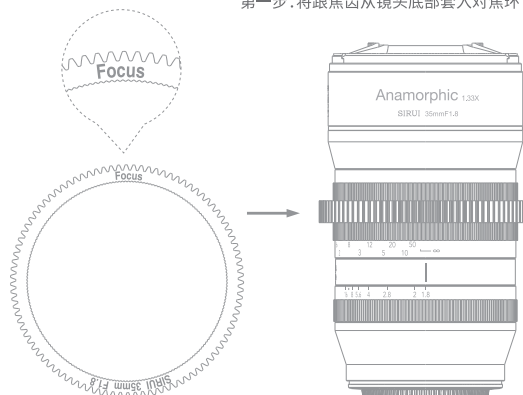
使用说明

镜头元件

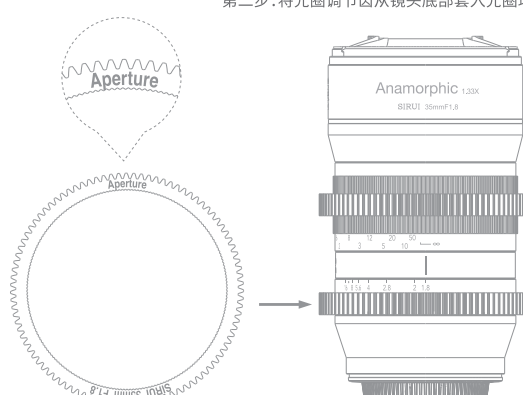


齿轮安装方法

第一步: 将跟焦齿从镜头底部套入对焦环



第二步: 将光圈调节齿从镜头底部套入光圈环



镜头特色

1. 在16:9的模式下能拍摄宽幅视频(2.4:1的影院宽银幕比例)。
2. 独特的逆光拉丝效果, 科幻感十足。
3. 大光圈出色的景深和迷人的椭圆焦外。
4. 所有镜片高清纳米多层镀膜, 镜头最前端镀膜防水防污。
5. 外壳采用精密的航空级铝合金材料, 对焦等关键部位采用精密铜材, 加上紧凑的结构设计, 让镜头变得轻巧、耐用, 同时拥有丝滑的对焦手感。

镜头操作说明

1. 镜头安装  
镜头的红色圆点对准相机机身的白色圆点, 顺时针方向旋转镜头, 听到“嗒”声镜头锁紧为止。
2. 镜头卸除  
按下相机机身锁紧按钮, 逆时针方向旋转镜头, 把镜头从机身上取下。

镜头使用、保存注意事项

- 由于潮湿的关系可能导致发霉或生锈。长期不用的时候, 请与干燥剂一起放置在密闭性好的容器内保管。请勿放置在有樟脑丸/防虫剂等地方。
- 请勿直接接触镜片表面。灰尘或污垢可以用吹灰球或镜头刷轻轻除去。指纹等可用市面上销售的镜头清洁液和擦镜纸轻轻擦拭。汽油、稀释液(香蕉水)等有机溶剂切勿使用。
- 该镜头非防水结构。雨天或近水源的地方使用时, 请勿弄湿。若镜头内部进水, 存在引起较大故障, 导致无法维修的可能性。
- 环境温度突变时, 镜头内部可能产生水蒸气结露现象。从寒冷室外进入温暖屋内时, 请放置在镜头包或者封口塑料袋中, 直至镜头温度与环境温度相近时再取出。

镜头规格

镜头编号	SIRUI 35mm F1.8 Anamorphic 1.33X	
焦距距离	35mm	
最大光圈	F1.8	
最小光圈	F16	
镜片结构	9组13片	
光圈叶片数	10	
支持画幅	M4/3系统画幅	
拍摄距离	0.85m - ∞	
对焦方式	手动	
最大放大倍率	1:10.63 (V)、13.83 (H)	
滤镜规格	M67x0.75	
对焦环的旋转角度	191.2°	
最大直径	71mm/2.79inches	
对焦环的直径	67.2mm/2.65inches	
重量	M4/3 卡口	约 700g
	RF卡口	约 735g
	L卡口	约 700g
长度(不含镜头盖)	M4/3 卡口	约 117mm
	RF卡口	约 116.7mm
	L卡口	约 116.5mm

## Global Distributor Directory



### Products Info



Official Website

### News and Tutorials



YouTube

### Services



Facebook

Thank you for purchasing SIRUI products! SIRUI will provide free warranty service if the product fails due to poor materials and workmanship under normal use.

The global agents are ranked in no particular order. If after-sales service is required, please contact the local agent first.

### Headquarter of SIRUI Optical Co., Ltd.

After-Sale Service Hotline: 400 830 2299

Complaints Hotline: 181 6563 9388

### Singapore/T K Foto Technic Pte Ltd

**Address:** Funan 107 North Bridge Rd #03-09 Singapore 179105

**Tel:** +65 6904 6610 **Fax:**+65 6904 6620

**http:** //www.tkfoto.com.sg **E-mail:** ark@tkfoto.com.sg

### India/Foto centre Trading Pvt. Ltd

**Address:** Foto Centre Trading Pvt.Ltd\* 303, 3rd Floor, Ravi Building, 189-191, Dr. D. N. Road, Mumbai-400 001.Maharashtra,India **Tel:** 0091-9820110120

**http:** //www.sirui.in **E-mail:** info@sirui.in

### Canada/LightPro Group Inc

**Address:** 3206 Wharton Way Mississauga, ON L4X 2C1

**Toll Free:** 1-800-361-9682 **Tel:** 905-940-9262

**http:** //www.lightprogroup.com **E-mail:** Sales@lightprogroup.com

### Kazakhstan/PSP Digital

**Address:** г. Алматы, проспект Абая 130 (территория ЖК «Абая 130»)

**Tel:** 8 707 217 03 99 8 707 958 54 94

**http:** //pspdf.kz/contacts **E-mail:** pspkz@mail.ru

### Russia /REQUIRED, LLC

**Address:**

**Tel:** 8 (499) 500-96-27

**http:** //kremlinstore.ru **E-mail:** order@kremlinstore.ru

## Romania/West Buy S.R.L

**Address:** Bdul. Mircea Voda nr. 36, Sector 3, Bucharest, Romania, 030688  
**Telephone:** +(4)021.3205652 **Tel/Fax:** +(4)021.3205655 **Mobile:** +(4)0745414956  
**Mobile:** +(4)0752111704 **Mobile:** +(4)0756111947 **Mobile:** +(4)0752110439  
**http:** //www.westbuy.ro **E-mail:** westbuy1@gmail.com

## Slovenia/Infocona d.o.o

**Address:** Prevale 9, 1236 Trzin  
**Tel:** 01/ 562 00 61 **http:** // **E-mail:** info@infocona.si

## Turkey/siruturkiye

**Address:** Çobançesme Mah. Sanayi Cad. Kimiz Sk. No:12 Yenibosna Bahçelievler, Istanbul  
**Tel:** 0(850)222 37 73  
**http:** //www.siruturkiye.com **E-mail:** oceltikci@essegrup.com

## Hong Kong/HONG KONG RUIJIE TRADING COMPANY LIMITED

**Address:** UNIT C 15/F HUA CHIAO COMM CTR 678 NATHAN RD MONGKOK KL  
**Tel:** 00852-9409 5241  
**http:** // **E-mail:** paulli34@foxmail.com

## South Africa/Sunshine Distribution PTY LTD

**Address:** 29 Keyes Avenue, Rosebank Johannesburg, 2196, South Africa  
**Mobile:** +27 79 641 0288 **Phone:** +27 11 268 0803  
**http:** //www.sunshineco.co.za **E-mail:** Willem@sunshineco.co.za

## Israel/Argol LTD

**Address:** 19 Hamerkava st.Holon 5885113 Israel  
**Tel:** +972-3-5581901-6 **Fax:** +972-3-5501148  
**http:** //www.argol.co.il **E-mail:** eli@argol.co.il

## Malaysia/Leomax (M) Sdn Bhd

**Address:** B-5-7, block B, Pusan komersial southgate Jln dua, off jln Chan sow Lin 55200 Kuala Lumpur, Malaysia **Tel:** (+603)9224 2001  
**http:** //www.leomax.com.my **E-mail:** account@leomax.com.my

## Panama /TODO FOTO PANAMA

**Address:** Avenida Justo Arosemena y Cl. 45 Este,Panamá Ciudad de Panamá  
**Tel:** 225-4620 / 203-1288  
**http:** //www.todofotopanama.com **E-mail:** rosa@todofotopanama.com

## Nigeria/Nextgen Media Ltd

**Address:** 73, Allen Avenue, Ikeja, Lagos  
**M. +234 (0) 805 1987 394 | +234 (0) 909 1094 565**  
**http:** //www.nextgentv.tv **E-mail:** Afolasade.OK@nextgentv.tv

## Ukraine/BIGggSALE.com

**Address:** Ровно: ул. Данила Галицького 19, 718 офіс. (Главный офіс)  
**Tel:** (096)308-36-00;(063)308-36-00;(066)308-36-00  
**http:** //BIGggSALE.com **E-mail:** shop@bigggsale.com

## Luxembourg /TSE Imaging BV

**Address:** Argonweg 135, 1362 AD Almere,  
**Tel:** +31 (0) 36 8450348  
**http:** //www.tseportal.nl **E-mail:** service@tokina.eu

## Belgium/TSE Imaging BV

**Address:** Argonweg 135, 1362 AD Almere,  
**Tel:** +31 (0) 36 8450348  
**http:** //www.tseportal.nl **E-mail:** service@tokina.eu

## Italy /TOSCANA FOTO SERVICE S.r.l.

**Address:** Via Ponte all' Asse, 2/4, 50019 Sesto Fiorentino (FI)  
**Tel:**  
**http:** //www.sirui-italia.it **E-mail:** info@fotocomm.it

## Poland/Focus Nordic

**Address:** Al. Jerozolimskie 180, 02-486 Warszawa  
**Tel:** +48 697 991 248  
**http:** //www.focusnordic.pl **E-mail:** info@focusnordic.pl

## Taiwan/Tai Nein Company Ltd.

**Address:** 2F, No.29, Ren Ai Road, Sec 2, Taipei, Taiwan

**Tel:** +886-2-33433966 **Fax:** +886-2-33433969

**http:** //www.lf99.com **E-mail:** tainein@ms23.hinet.net

## Thailand/ 456 Marketing Company Ltd

**Address:** 636/12 Soi Ramkhamhaeng 39 (Thepleela1), Wangthonglang, Bangkok 10310, Thailand. **Tel:** (+662)934-6565

**http:** //www.456mkt.com **E-mail:** online@456mkt.com

## Japan/常盤写真用品株式会社

**Address:** 〒460-0011 名古屋市中区大須4丁目3番43号

**Tel:** 052-251-0351 **Fax:** 052-251-0981

**http:** //www.sirui-japan.com **E-mail:** takahashi@tokiwasyashin.co.jp

## New Zealand/Photogear

**Address:** (1) 3/2 Tawa Drive, Rosedale, Auckland (2) 49 Mackelvie Street, Ponsonby, Auckland

**Tel:** (+64) 9 4792886

**http:** //www.photogear.co.nz **E-mail:** support@photogear.co.nz

## Slovakia/Focus Nordic AB

**Address:** KUTA centrum, Zelený pruh 95/97, 140 00 Praha 4, Česká Republika

**Tel:** +420 604 582 550

**http:** //www.focusnordic.sk **E-mail:** info@focusnordic.sk

## Czech Republic/Focus Nordic

**Address:** Zeleny pruh 95/97, 140 00 Praha 4

**Tel:** +46 31 336 23 00

**http:** //www.focusnordic.cz **E-mail:** info@focusnordic.cz

## Netherlands/TSE Imaging BV

**Address:** Argonweg 135, 1362 AD Almere,

**Tel:** +31 (0) 36 8450348

**http:** //www.tseportal.nl **E-mail:** service@tokina.eu

## Estonia/Focus Nordic

**Address:**

**Tel:** +46 31 336 23 00

**http:** //www.focusnordic.ee **E-mail:** info@focusnordic.ee

## Vietnam (Hanoi)/SÔNG HỒNG CAMERA

**Address:** SÔNG HỒNG CAMERA - 44 TRĂNG THI, HOÀN KIẾM, HÀ NỘI

**Tel:** Hotline CH: 098.888.2533 - 024.3938.2267

**http:** //www.songhongcamera.com **E-mail:** banhang@songhongcamera.com

## Vietnam (Ho Chi Minh)/Rawshop.vn

**Address:** 61 Đường Núi Thành, Phường 13, Tân Bình, Thành phố Hồ Chí Minh, Vietnam

**Tel:** 00842862656999

**http:** //rawshop.vn **E-mail:** thanhnam79@gmail.com

## Saudi Arabia/Cameramix

**Address:** Al-Manar, Jeddah 23462 Saudi Arabia

**Tel:** 00966126282444

**http:** //cameramix.com **E-mail:** sales@cameramix.com

«ريمدع نب بيهو» Al-Manar,  
Jeddah 23462 Saudi Arabia

## Republic of Korea/ Daekwang Enterprise

**Address:** Namdaemunno 10, Jung-gu, Seoul, South Korea (zip: 04528)

**Tel:** (+82) 2-752-3304

**http:** //www.sirui.co.kr **E-mail:** daekwangas@gmail.com

## Australia/ DISCOUNT DIGITAL PTY LTD

**Address:** Suite1,64 Alexander St, crows Nest NSW2065, Australia

**Tel:** (+61)408 660 083

**http:** //www.pixelone.com.au **E-mail:** sales@pixelone.com.au

## Indonesia/ Focus Nusantara

**Address:** Jln.Tanah Abang II No 77 Jakarta Pusat -10160, Indonesia

**Tel:** (+62)21 380 8080

**http:** //focusnusantara.com **E-mail:** saiful@focusnusantara.com



## Republic of Lithuania /Focus Nordic

**Address:** Vienibas Avenue 109, LV-1058 Riga Latvia

**Tel:** +37 06 12 86 120

**http:** //www.focusnordic.lt **E-mail:** info@focusnordic.lt

## Sweden/Focus Nordic AB

**Address:** Bergsjödalen 48, 41568 Gothenburg

**Tel:** +46 31 336 23 00

**http:** //www.focusnordic.com **E-mail:** info@focusnordic.se

## Norway/Focus Nordic

**Address:** Ringeriksveien 164, 1339 Vøyenenga

**Tel:** +47 67 17 37 00

**http:** //www.focusnordic.no **E-mail:** info@focusnordic.no

## Finland/Focus Nordic

**Address:** Knitter Business Park, Kutojantie 6-8, FI-02630 Espoo

**Tel:** +35 89 42 83 41 01

**http:** //www.focusnordic.fi **E-mail:** info@focusnordic.fi

## Denmark/Focus Nordic

**Address:** Erhvervsvej 30, DK-2610 Rodovre

**Tel:** +46 31 336 23 00

**http:** //www.focusnordic.dk **E-mail:** info@focusnordic.dk

## Iceland/Focus Nordic

**Address:**

**Tel:** +46 31 336 23 00

**http:** //www.focusnordic.is **E-mail:** info@focusnordic.is

## Latvia /Focus Nordic

**Address:** Vienibas Avenue 109, LV-1058 Riga Latvia

**Tel:** +46 31 336 23 00

**http:** //www.focusnordic.lv **E-mail:** info@focusnordic.lv

## Sri Lanka/CameraLK Store

**Address:** CameraLK Colombo: 263, Highlevel Road Colombo 05 00500 - Western

CameraLK Majestic City: No 28, 3rd Floor Majestic City Colombo 04 00400 - Western

CameraLK Kandy: 127A 1/1 D S Senanayake Veediya Kandy 20000 - Central Province  
0812233872

**Tel:** +(94) 117 817 870

**http:** //www.cameralk.com **E-mail:** ushitha@cameralk.com

## Kenya/Cameras Africa

**Address:** Nairobi along Kenyatta Avenue, next to Phoenix House. 1 Min Walk from Sentrim 680  
Hotel

**Tel:** 00254722764900

**http:** //www.camerasafrica.com **E-mail:** sales@camerasafrica.com



Garantie  
Warranty  
Garantía  
Garanzia



SIRUI Professional Photographic Equipment

Product	Warranty length	Produkt	Garantie Zeitraum
Tripods / Monopods / Heads / Accessories	<b>6 years</b>	Stative / Köpfe / Zubehör	<b>6 Jahre</b>
Humidity Control Cabinet (only Cabinet)	<b>6 years</b>	Humidor Schränke (nur Schränke)	<b>6 Jahre</b>
Humidity Control Cabinet (Electronics)	<b>3 years</b>	Humidor Schränke (elektronisch)	<b>3 Jahre</b>
Filters / Smartphonetools / Electronic Devices	<b>2 years</b>	Filter / Smartphonezubehör / Elektronische Geräte	<b>2 Jahre</b>

Model, Modell, Modèle, Modelo

Date, Datum, Fecha, Data

Dealer, Händler, Marchand, Comerciante, Negociante

**European Service Center:**

SIRUI Optical GmbH • Ernst-Augustin-Str. 1a • 12489 Berlin • Germany  
Phone: +49 30 991 94 94 00  
Email Address : info@siruioptical.eu

**Deutsch**

Die SIRUI Optical GmbH, Ernst-Augustin-Str. 1a, 12489 Berlin, gewährt Käufern eine Garantie von 6 Jahren ab Kaufdatum auf die Freiheit von Herstellungs- und Materialfehlern dieses Produkts. Von dieser Garantie nicht erfasst sind Schäden durch mechanische Beeinträchtigungen, große Hitze, nicht bestimmungsgemäße Verwendung sowie Abhandenkommen. Diese Garantie gilt nur in Verbindung mit dieser Garantiekarte und einem in Europa ausgestellten Kaufbeleg. Die gesetzlichen Rechte – insbesondere die gesetzlichen Gewährleistungsrechte – bleiben hiervon unberührt. Im Garantiefall wenden Sie sich bitte an das umseitig genannte Servicecenter.

**English**

SIRUI Optical GmbH, Ernst-Augustin-Str. 1a, 12489 Berlin, guarantees purchasers that this product will remain free from manufacturing and workmanship defects for 6 years from the date of purchase. Damage caused by mechanical damage, excessive heat, improper use and loss are not covered by this warranty. This warranty is valid only in connection with this warranty card and a receipt issued in Europe. Statutory rights – in particular the statutory warranty rights – remain unaffected. In the event of a warranty claim please contact the service centre listed overleaf.

**Français**

La société SIRUI Optical GmbH, Ernst-Augustin-Str. 1a, 12489 Berlin, Allemagne, offre aux acheteurs une garantie de 6 ans, à compter de la date d'achat, contre tous défauts de fabrication ou de matériaux. Cette garantie ne couvre pas les dommages causés par des problèmes mécaniques, la chaleur excessive, l'utilisation abusive et la perte. La garantie est uniquement valable si associée à la présente carte de garantie et une preuve d'achat délivrée en Europe. Les droits légaux – en particulier les droits de garantie prévus par la loi – restent inchangés. En cas de recours à la garantie, veuillez vous adresser au centre de service mentionné au recto.

**Italiano**

La SIRUI Optical GmbH, Ernst-Augustin-Str. 1a, 12489 Berlin, offre agli acquirenti una garanzia di esenzione da difetti di fabbrica e di lavorazione di questo prodotto, della durata 6 anni dalla data di acquisto. Tale garanzia non copre alcun danno causato da guasto meccanico, calore eccessivo, uso improprio nonché perdita. La garanzia è valida solo se accompagnata dalla presente scheda di garanzia e ad una prova di acquisto rilasciata in Europa. I diritti legali - in particolare, i diritti di garanzia previsti dalla legge - rimangono inalterati. In caso di intervento in garanzia, si raccomanda di rivolgersi al centro di assistenza indicato sul retro.

**Español**

La sociedad SIRUI Optical GmbH, Ernst-Augustin-Str. 1a, 12489 Berlin, otorga a sus compradores una garantía de 6 años a partir de la fecha de compra por los vicios ocultos y defectos de fabricación de este producto. La garantía no cubrirá los daños ocasionados por desgastes mecánicos, altas temperaturas, un uso no conforme con lo prescrito o por pérdida o extravío, y sólo será válida presentando esta carta de garantía y el comprobante de compra expedido en Europa. Lo anterior no afectará a los derechos legales y, en particular, a los derechos de garantía legales. En el caso contemplado en la garantía, le rogamos se ponga en contacto con el Centro de atención al cliente, cuya dirección consta en el dorso de esta carta de garantía.

**Portugués**

A SIRUI Optical GmbH, Ernst-Augustin-Str. 1a, 12489 Berlin, garante aos seus clientes uma garantia de 6 anos a partir da data de aquisição relativa à liberdade de defeitos de produção e fabrico do produto. Esta garantia não cobre danos causados por efeitos adversos decorrentes de avaria mecânica, calor excessivo, utilização indevida, ou perda. Esta garantia é apenas válida mediante apresentação deste cartão de garantia e um recibo emitido na Europa, sem prejuízo dos direitos legais (em particular, os direitos legais de garantia). Em caso de reclamação, contate o centro de serviço referido no verso.

# SIRUI Warranty

Professional Photographic Equipment



Thank you for your purchase of Sirui professional products! Sirui warrants that your purchase is free from defects in materials and workmanship, under normal use during the Limited Warranty period. The warranty period starts on the original date of purchase on your sales receipt. If service is required, please include a copy of the sales receipt and this warranty card, with an explanation of the problem. Please store your sales receipt and warranty card in a safe location.

Product	Warranty period
Tripods and Heads	6 years
Optical and Smart Products	1 year (Battery: 6 months)
Humidity Control Cabinets	6 year (Electronic components: 3 years)

Model purchased : \_\_\_\_\_

Date : \_\_\_\_\_

Store : \_\_\_\_\_

Serial number : \_\_\_\_\_

#### Sirui USA Limited Warranty

This warranty is limited to the repair, adjustment and/or replacement, at Sirui or its authorized distributor's option, of defective parts, free of charge (except the cost of transportation to the distributor/service center). Responsibility is limited to actual cost of item.

Register online at [www.sirui.com](http://www.sirui.com). Call or email with questions or problems, before sending product in for repair. For warranty service on product purchased in the USA, all shipping and insurance charges must be prepaid. Include a copy of the sales receipt, this warranty card and an explanation of the problem. The product or defective part(s) may be sent through a local authorized SIRUI USA dealer or directly to the SIRUI USA distributor/service center indicated on this warranty card. Sirui will not be responsible for expenses or inconveniences, or consequential damages to equipment, or by breach of any expressed or implied warranty.

**Out-of-warranty repairs** - An estimate (including shipping costs) will be provided by the SIRUI USA distributor/service center indicated on this warranty card and repairs will begin once the estimate is approved and payment is received. A return shipping fee will be charged for refused estimates.

#### Limitations

Warranty is non-transferable. This warranty covers all defects encountered in normal use of the equipment and does not apply in the following cases:

- 1) If the equipment has been serviced by other than an authorized Sirui distributor or service center.
- 2) Damage to the equipment due to modification, overloading, mishandling, abuse, accident, sand, corrosives, water damage or not following operating instructions.
- 3) No valid proof of purchase is provided.
- 4) Damage caused by acts of nature (including, but, not limited to fires, floods or earthquakes).

**This warranty is only valid when product is purchased from an authorized SIRUI USA dealer.**

**Please visit SIRUI's USA official website or consult the local dealer for the Return and Exchange Policy.**



**SIRUI USA, LLC**

For technical support, service or repairs please contact:

29 Commerce Court Verona, NJ 07044

info@sirui.com Phone: 866-373-0829